

HR VXX Series

Extra Heavy Duty Scalping Screens



Innovation in Screening



HR VXX Presentation Topics:

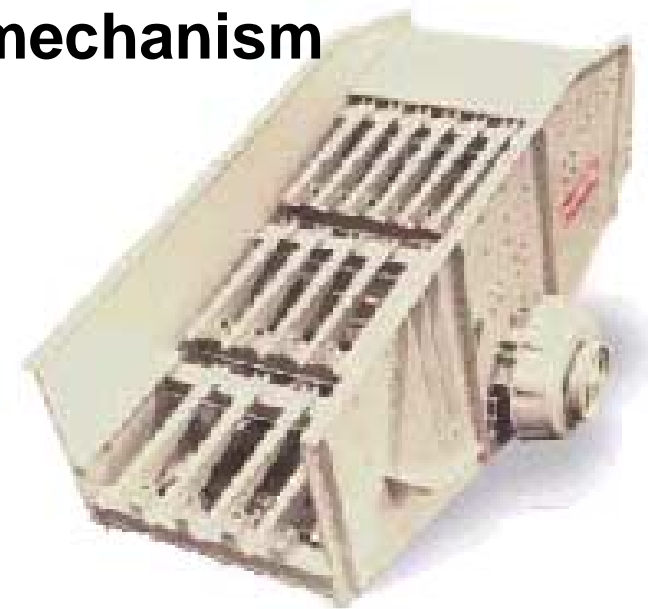
- **HR VXX Features and Benefits**
- **Application**
- **Vibrating Mechanism**
- **Frame**



HR VXX Scalpers

Features and Benefits

- Deep section 230mm cast grizzly bars
- Extra heavy duty reinforced sideplates
- Built to accept primary feed sizes up to 1.5m
- 1.22mx 2.44m to 2.44m x 6.1m models available
- Single and double deck models
- Proven two bearing vibrating mechanism
- Slip on shaft bearings



Innovation in Screening

HR VXX Scalper

Application

- Primary scalping
- Rough separations
- 1.5m top size, max lump not to exceed 75% of machine width
- Typical throw 13mm
- Typical speed 660 rpm
- Grizzly bars / punch plate



HR VXX Scalpers

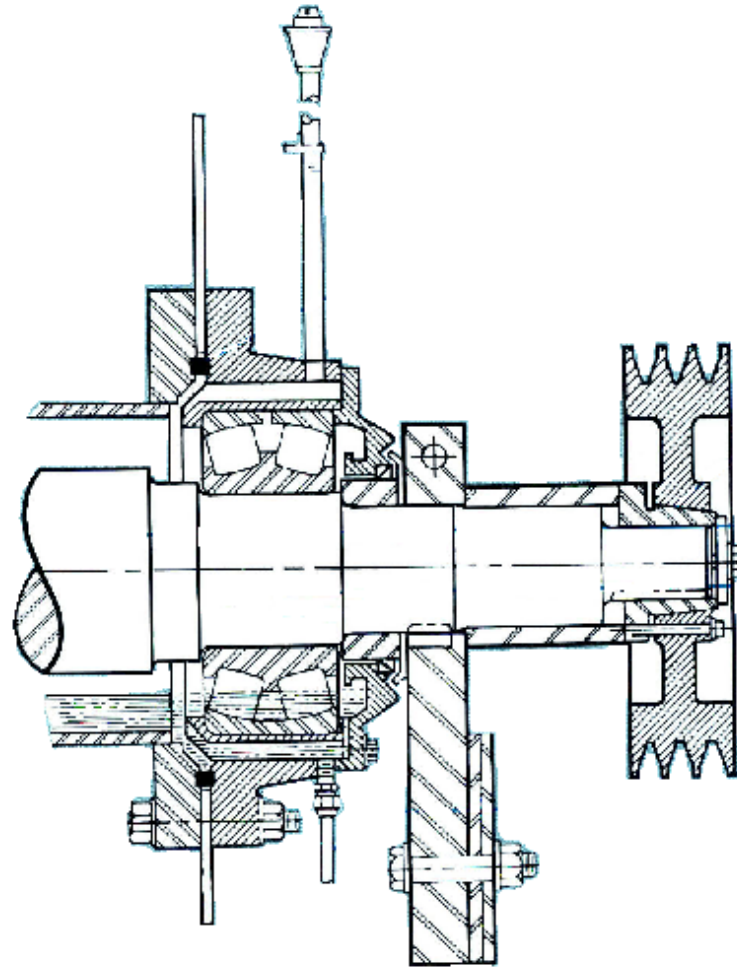
Vibrating Mechanism

- Large diameter concentric shafts
- External counterweights
- Circular Throw
- Oil lubricated
- Throw magnitude adjusted by adding, removing or relocating bolt-on weights



HR VXX Scalpers

Oil Lubricated Vibrating Mechanism

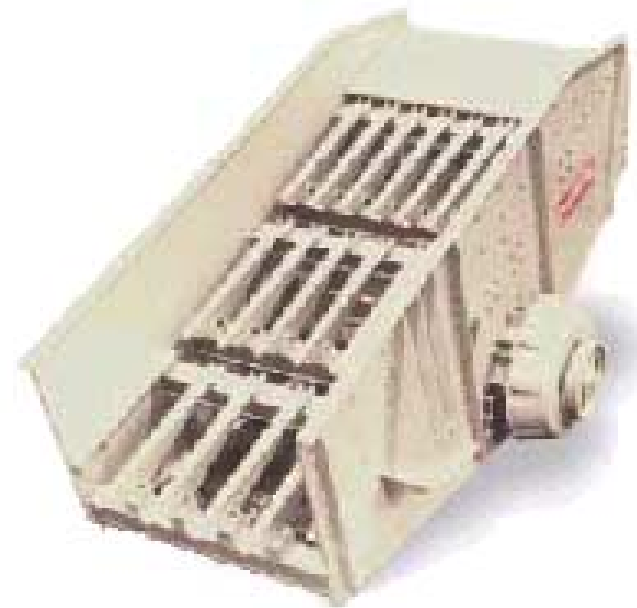


Innovation in Screening

HR VXX Scalpers

Frame

- Individual tubular cross-members
- Huck Bolted
- Reinforced sideplates
- Steel spring suspension
- AR Feed and discharge liners



Innovation in Screening